



COMHANHOLLAND
ALUMINIUM

Decorative
wall covering
profiles for
indoor &
outdoor



Varia-Click system

A two-part aluminium system that allows you to simply 'click' aluminium profiles onto the façade/wall/ceiling. Possible surface treatments: **powder coating, anodising & sublimation (wood look, stone look and metal look).**

Varia-Click system... click and done!

Varia-Click is a new series of aluminium façade profiles by Comhan Holland. This two-part aluminium system allows you to simply 'click' aluminium profiles onto the façade/wall/ceiling.

A perfect maintenance-free alternative to wood slats/profiles!

Varia-Click can be used for:

- Façades
- Slatted walls
- Ceilings, indoor & outdoor
- Public spaces
- On trade shows and exhibitions (stands)

*Ask for your
free sample!*



Aluminium profiles in wood grain effect available from stock*:



Natural Oak

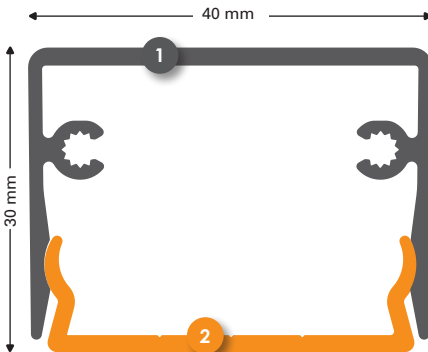
Dimensions 40 x 30 mm



American Cherry

Dimensions 40 x 30 mm

* Other wood, stone and metal look colours on request



1 139872 (139877, 139878***)**
Varia-Click 40 x 30 mm mill [139871]

2 139871 (139870*)
Varia-Click basic profile 40 mm mill

On request: End caps in the same colour anodised or powder coated!

* Anodised ** Natural Oak *** American Cherry

Varia-Click system

Article number:	Article name:	Surface finish:
1. 139870	Varia-Click basic profile 40 mm	Anodised
2. 139871	Varia-Click basic profile 40 mm	Mill (untreated)
3. 139872	Varia-Click 40 x 30 mm [139871]	Mill (untreated)
4. 139877	Varia-Click 40 x 30 mm [139871]	Wood look Natural Oak
5. 139878	Varia-Click 40 x 30 mm [139871]	Wood look American Cherry
6. 139875	End cover 40 x 30 mm	Mill (untreated)
7. 139876	Corner connector 60 x 60 x 5 mm - 36 mm [139871]	Mill (untreated)

Comhan Holland supplies the aluminium Varia-Click profiles directly from stock at standard lengths of 6100 mm in two wood colours and mill (untreated). On request, the profiles can also be cut to size.

Do you want the profiles in a different colour? We arrange this for you up from 1 piece!

Other possible surface treatments:

- **Wood, stone** and **metal look** sublimation finishes
- **Silver** or **colour** anodised
- Powder coated in **RAL colour**



Would you like to receive more information?

Please contact us for additional information.

We are happy to advise you!

[Click here for all the wood look, stone look and metal look colours](#)



Do you require Varia-Click in a different size or shape?

On request, Comhan can produce and supply Varia-Click profiles in a customised size or different shape. Such is possible starting from 500 kg.

Comhan can offer you:

- **More than 70 years of technical knowledge** to create an optimised aluminium profile tailored to your needs
- **Best choice-for-purpose** from an extensive selecting of manufacturers
- Available from stock so always **delivered just in time**
- Always with the best optimised surface treatment for your purpose: **powder coating, anodising & sublimation**
- Virtually all 3D (CNC) sheet and profile processing operations under one roof

Would you like to receive more information?

Let us think along with you and we will offer you the best solution for aluminium extrusion. Contact our specialists at **0297-513636** or **comhan@comhan.com**.





www.comhan.com

Order our free sign catalogue via the website



COMHANHOLLAND
ALUMINIUM

NL • Amsterdamseweg 27 • 1422 AC Uithoorn • Holland
T +31 (0)297 513 636 • E comhan@comhan.com

DE • Neue Straße 23 • D 58135 Hagen • Deutschland
T +49 (0)2331 625 1900 • F +49 (0)2331 625 1927 • E comhan@comhan.de